

SINGER
136W104

Form 3104w
(1253)
Printed in U. S. A.



SINGER**

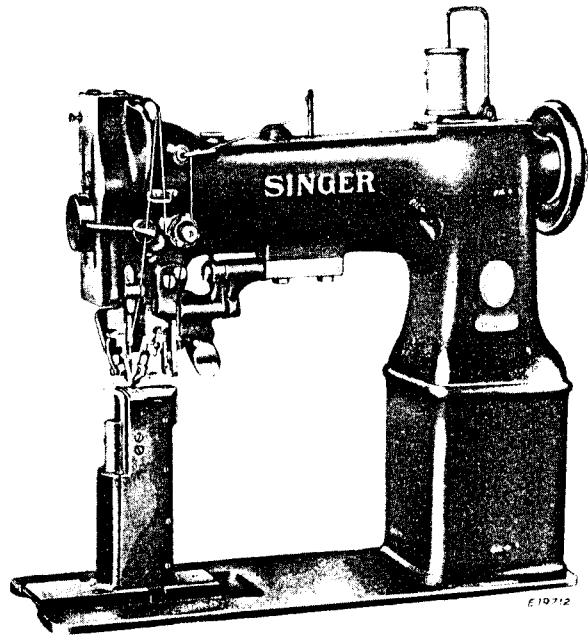
136w104



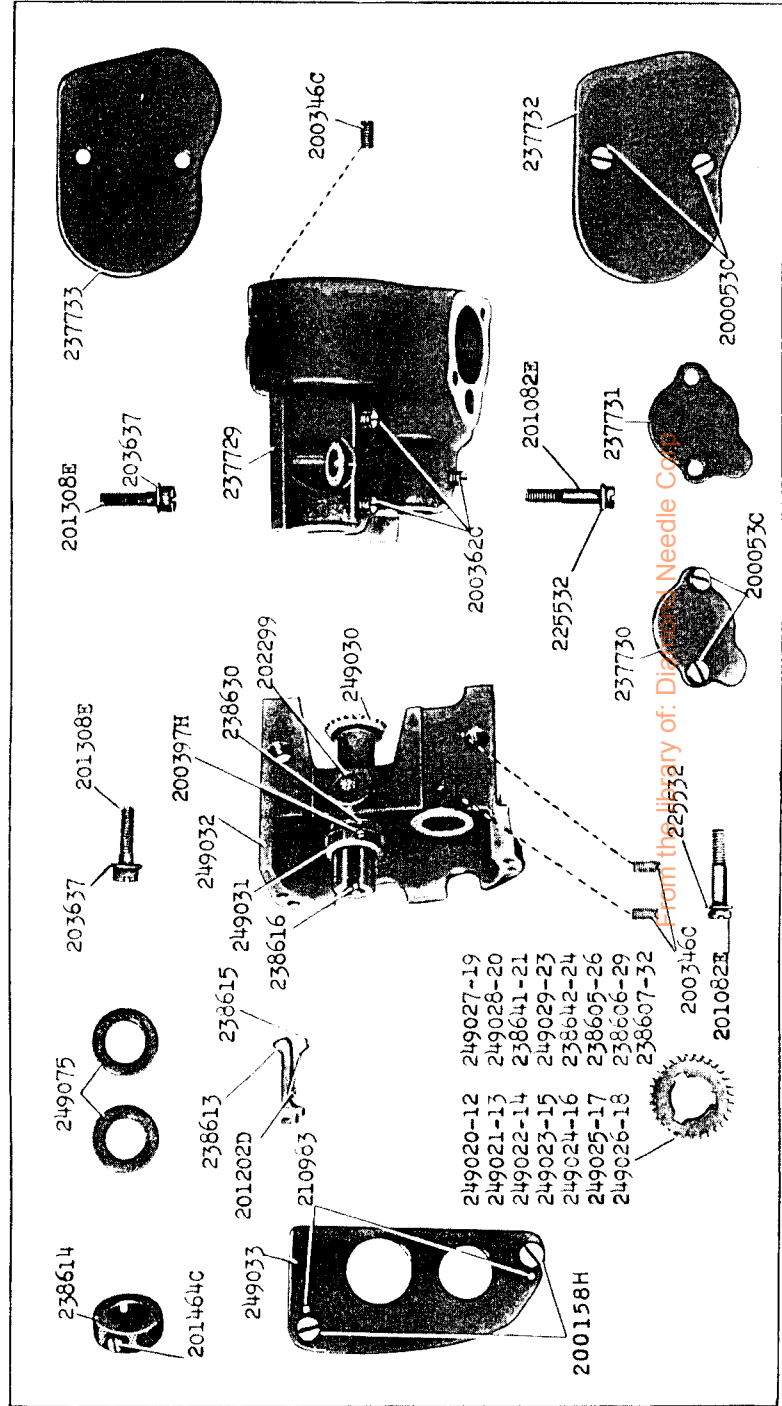
From the library of: Diamond Needle Corp

THE SINGER MANUFACTURING COMPANY

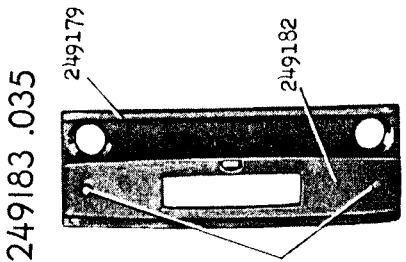
**A Trade Mark of THE SINGER MANUFACTURING COMPANY



Copyright, U. S. A., 1933, 1938, 1939, 1940, 1941, 1949, 1951 and 1954
 by The Singer Manufacturing Company
 All Rights Reserved for all Countries



15749



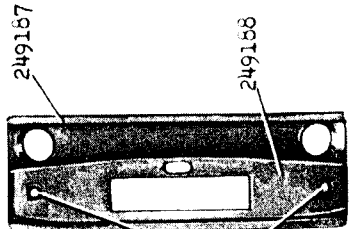
249183 .035

249179

249182

200587D

249189 .045

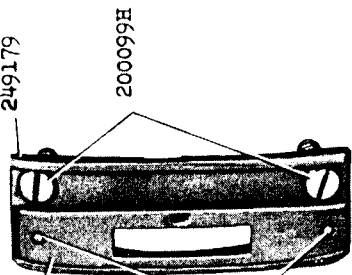


249187

249188

200587D

249181 .045

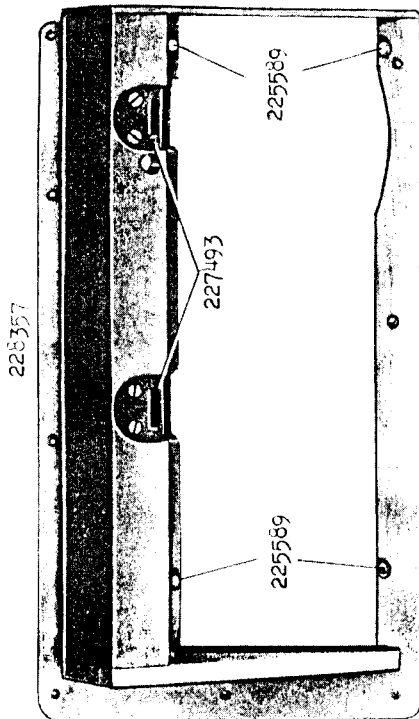


249180

200099H

200587D

15751 - 1/6

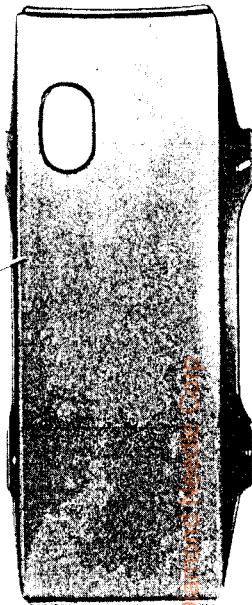


228357

227493

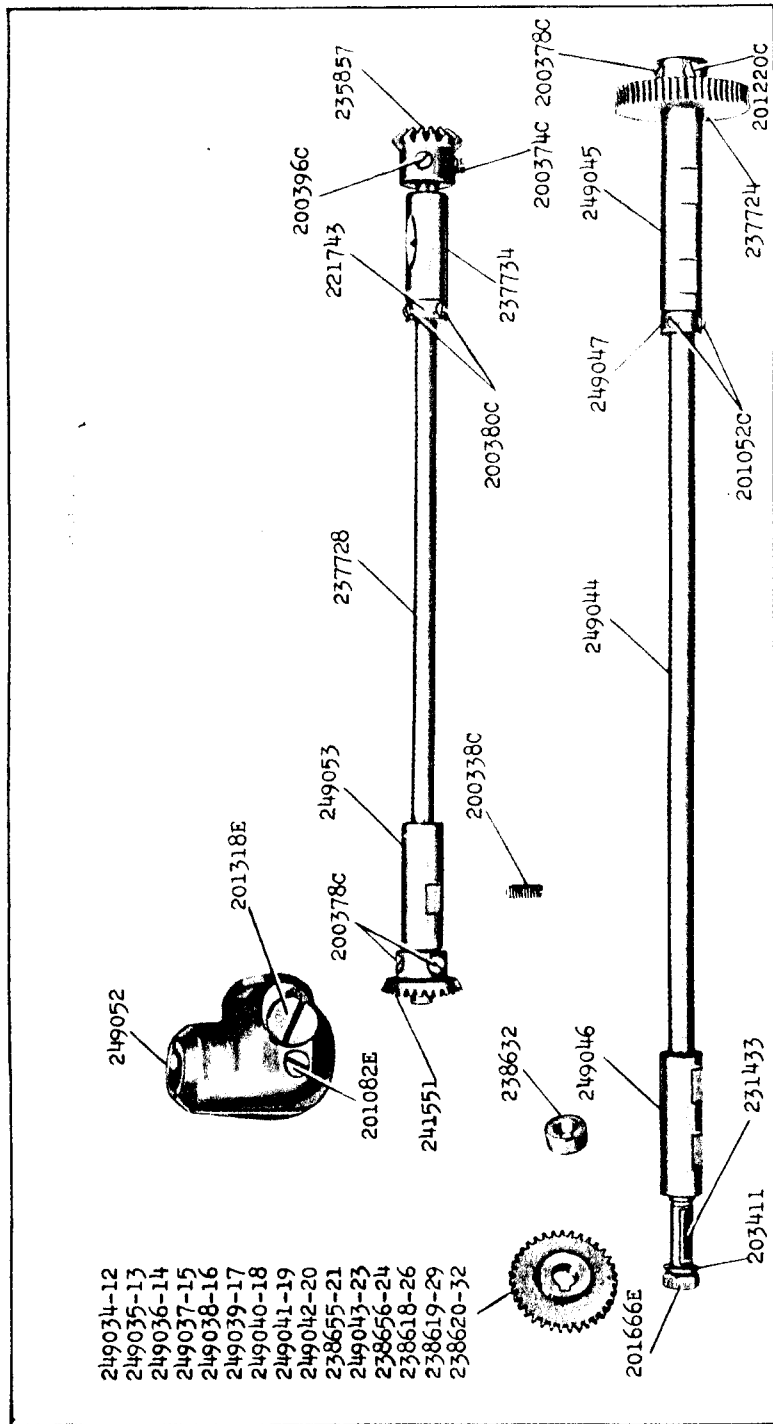
225589

228288

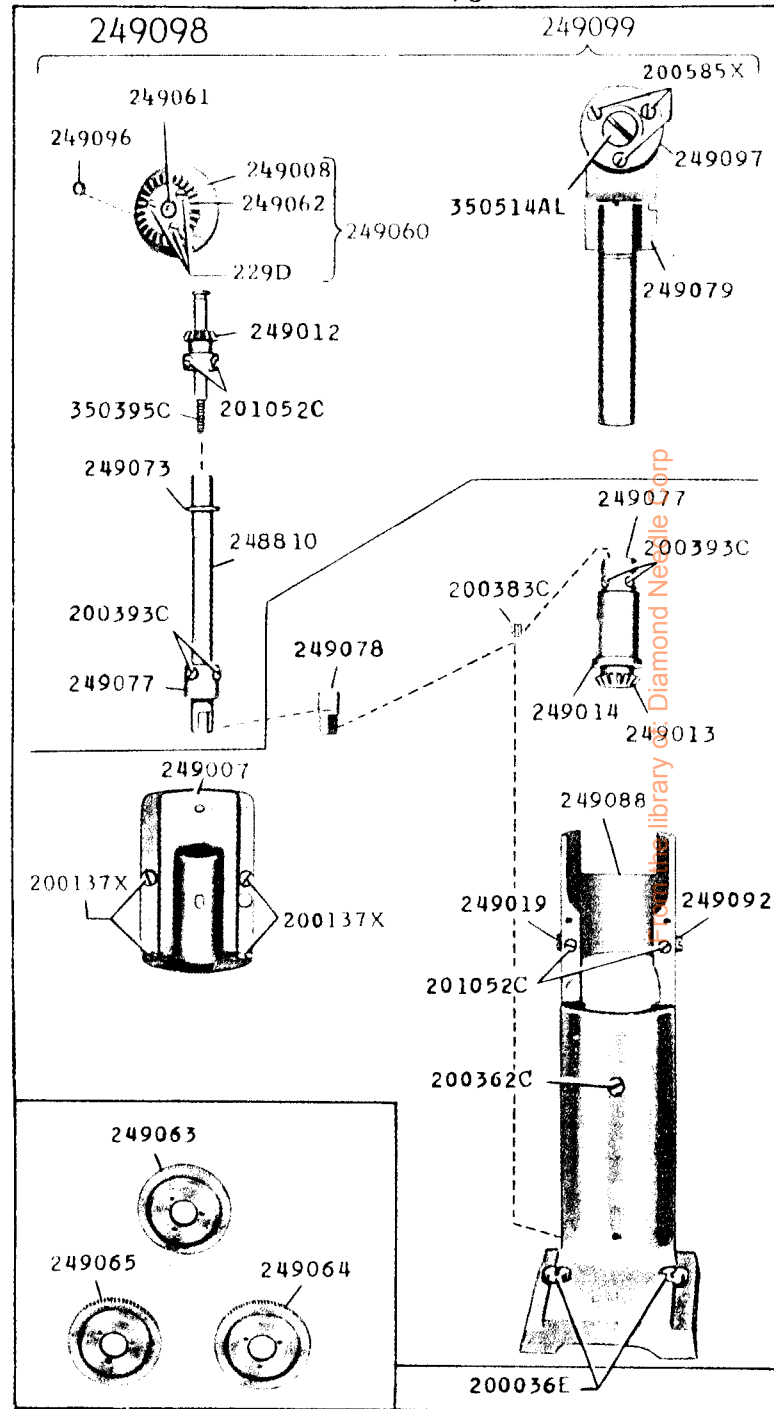


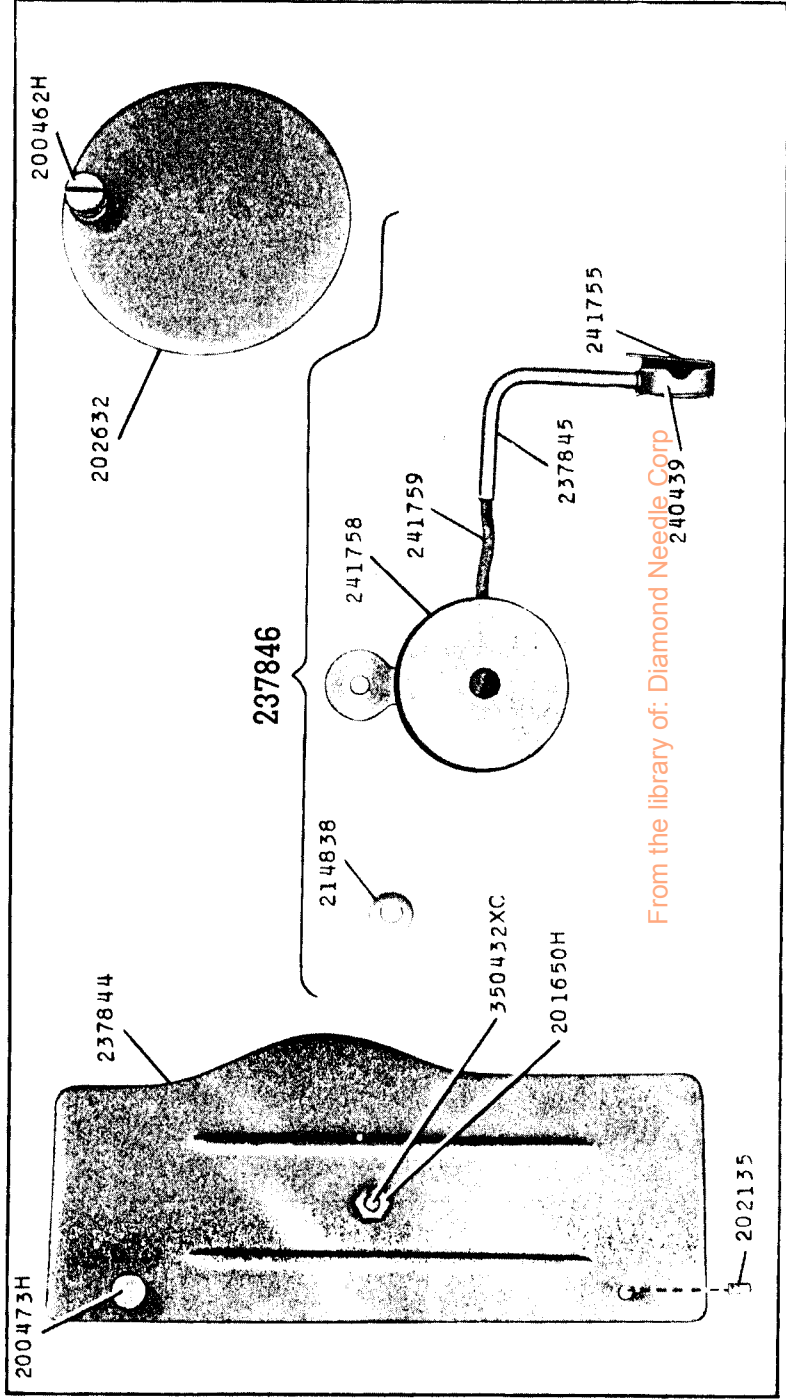
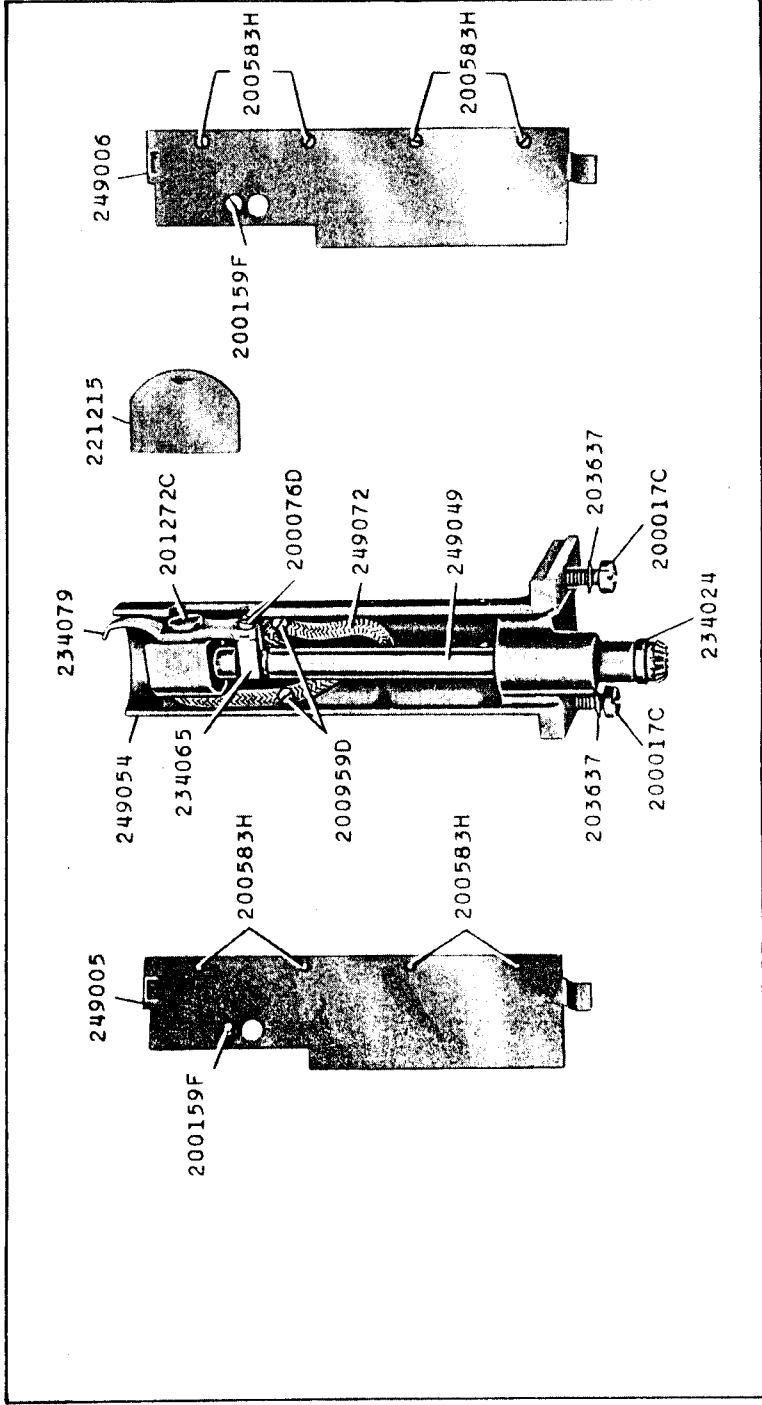
From the library of: <https://www.nasa.gov/>

15753 - 3/8



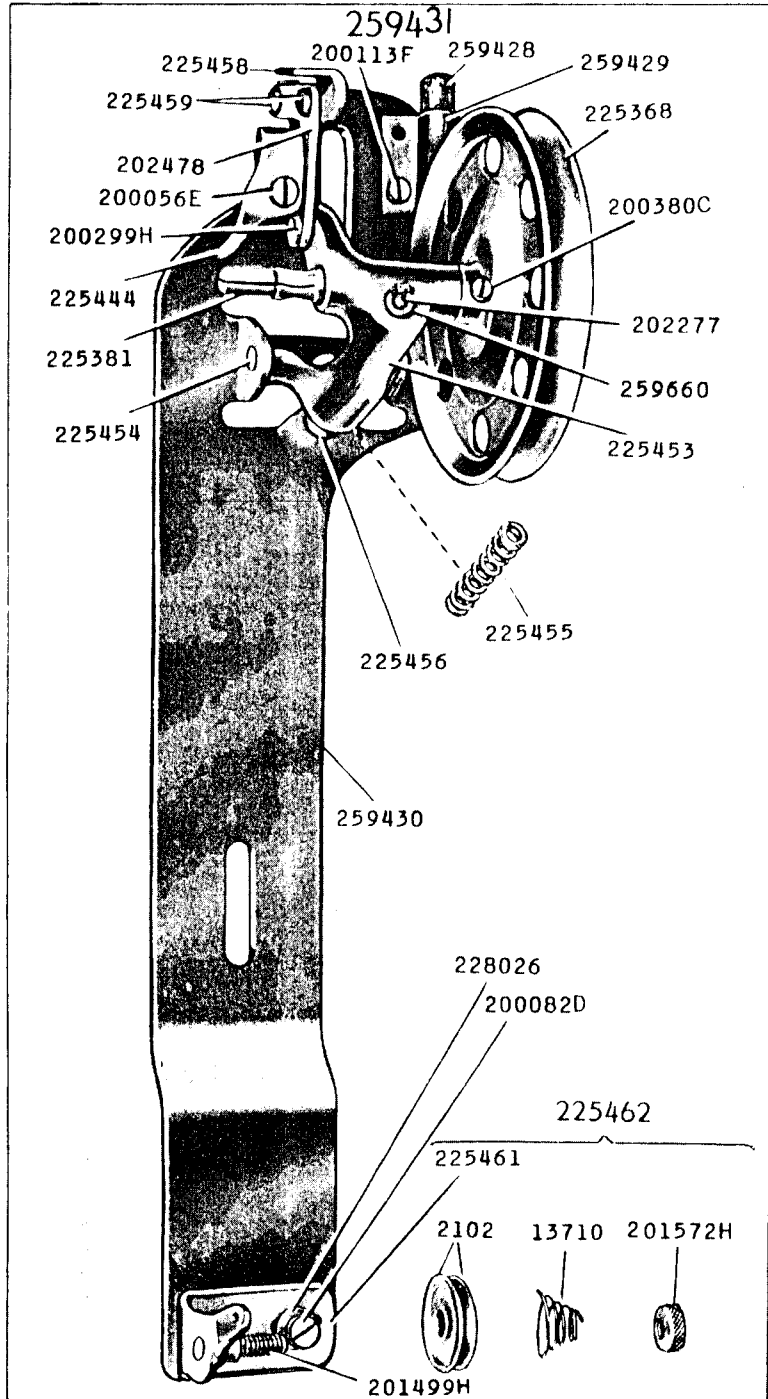
15759 - 1/3



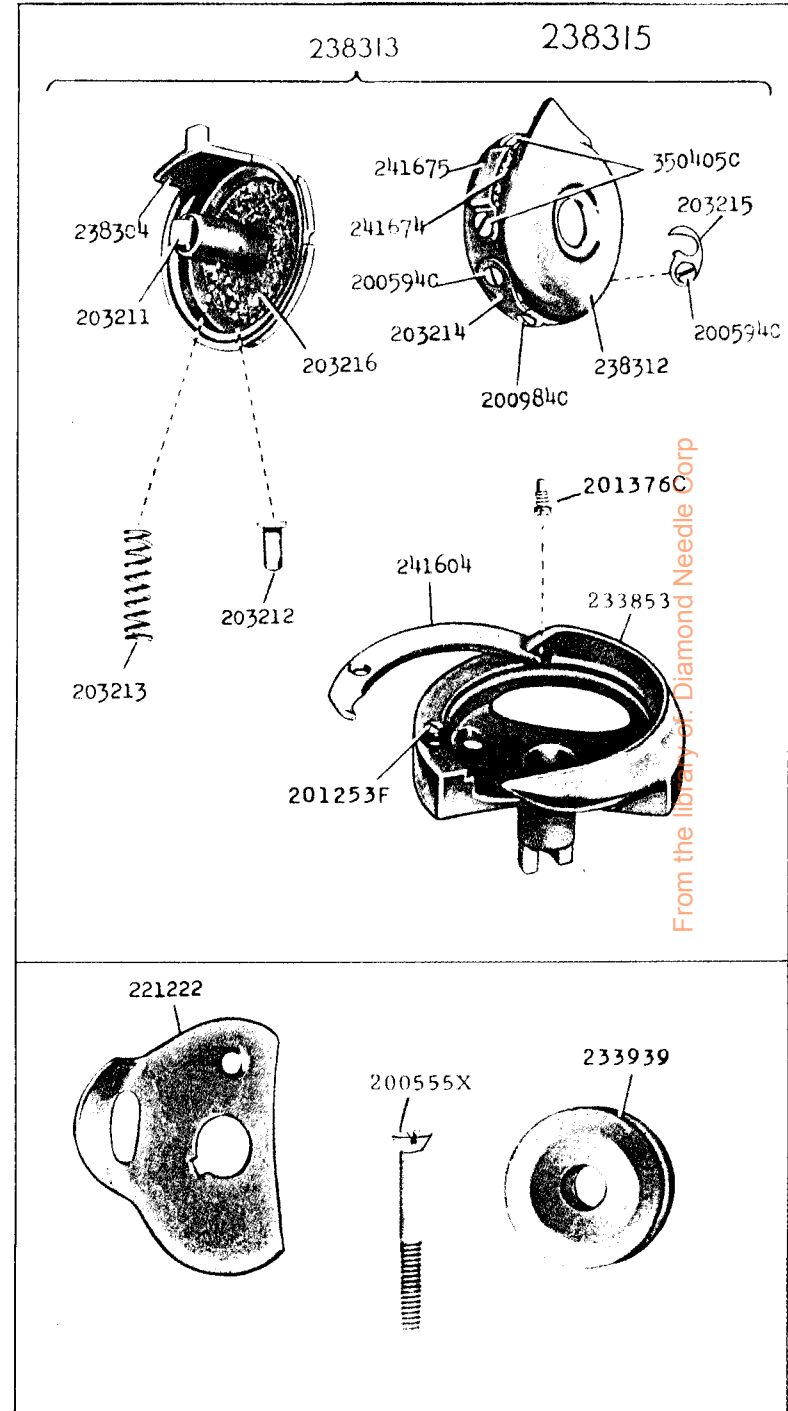


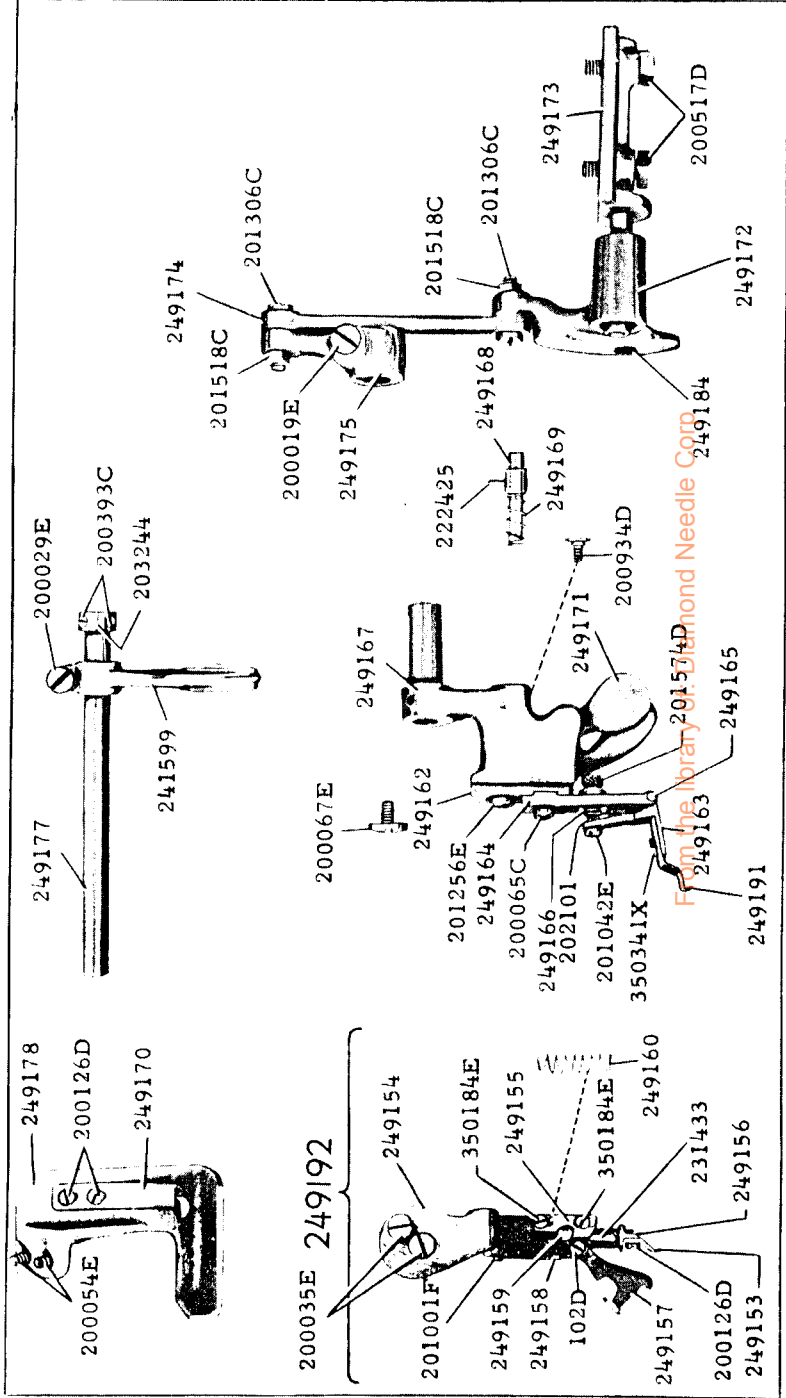
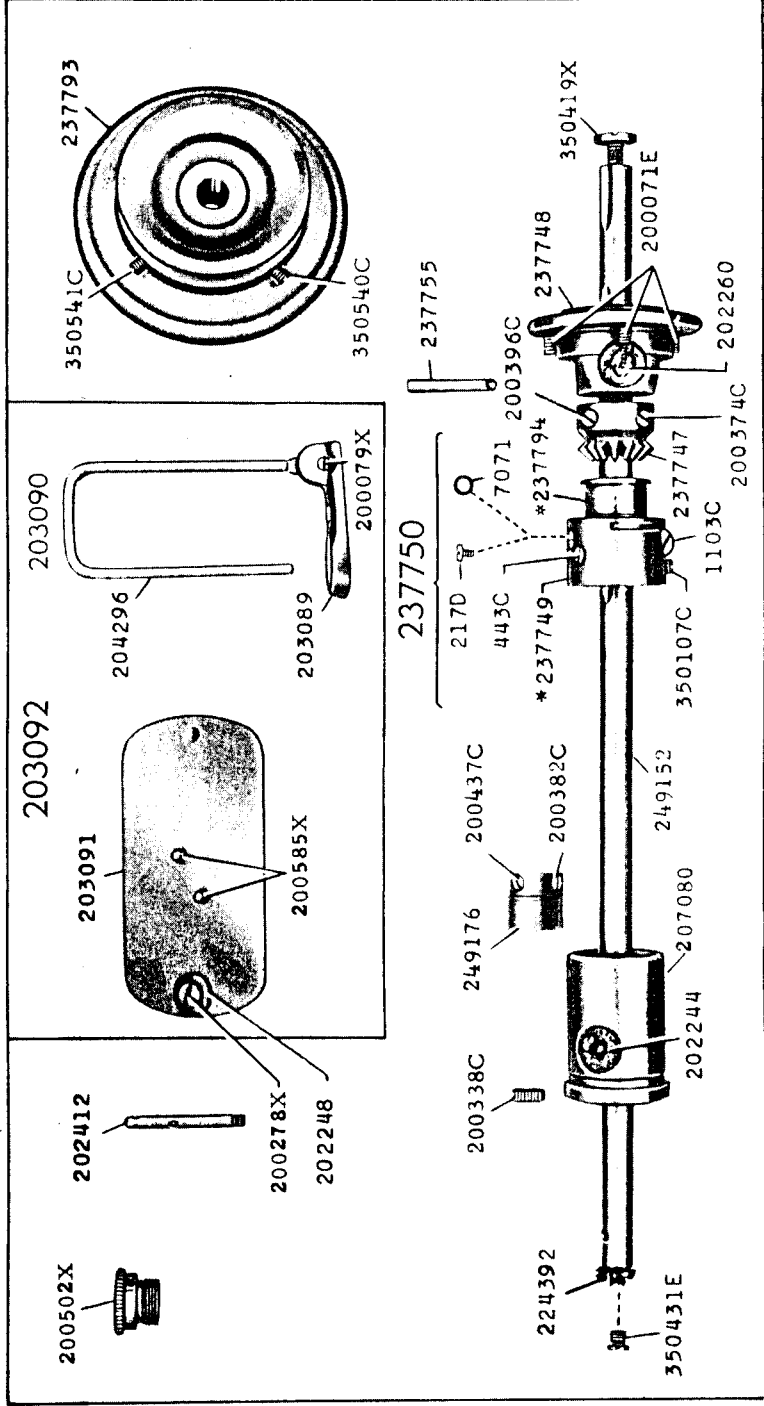
From the library of: Diamond Needle Corp

16615 - 1/2

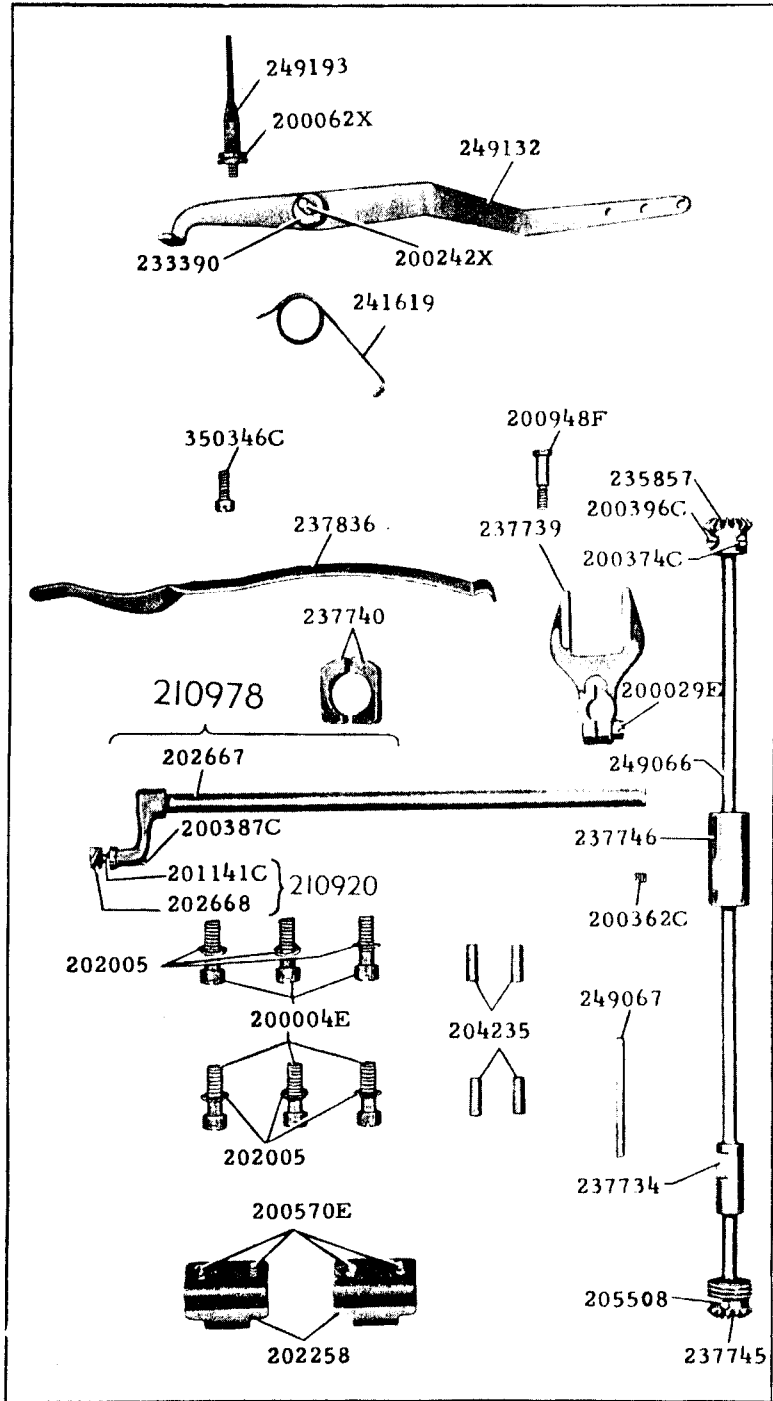


17313

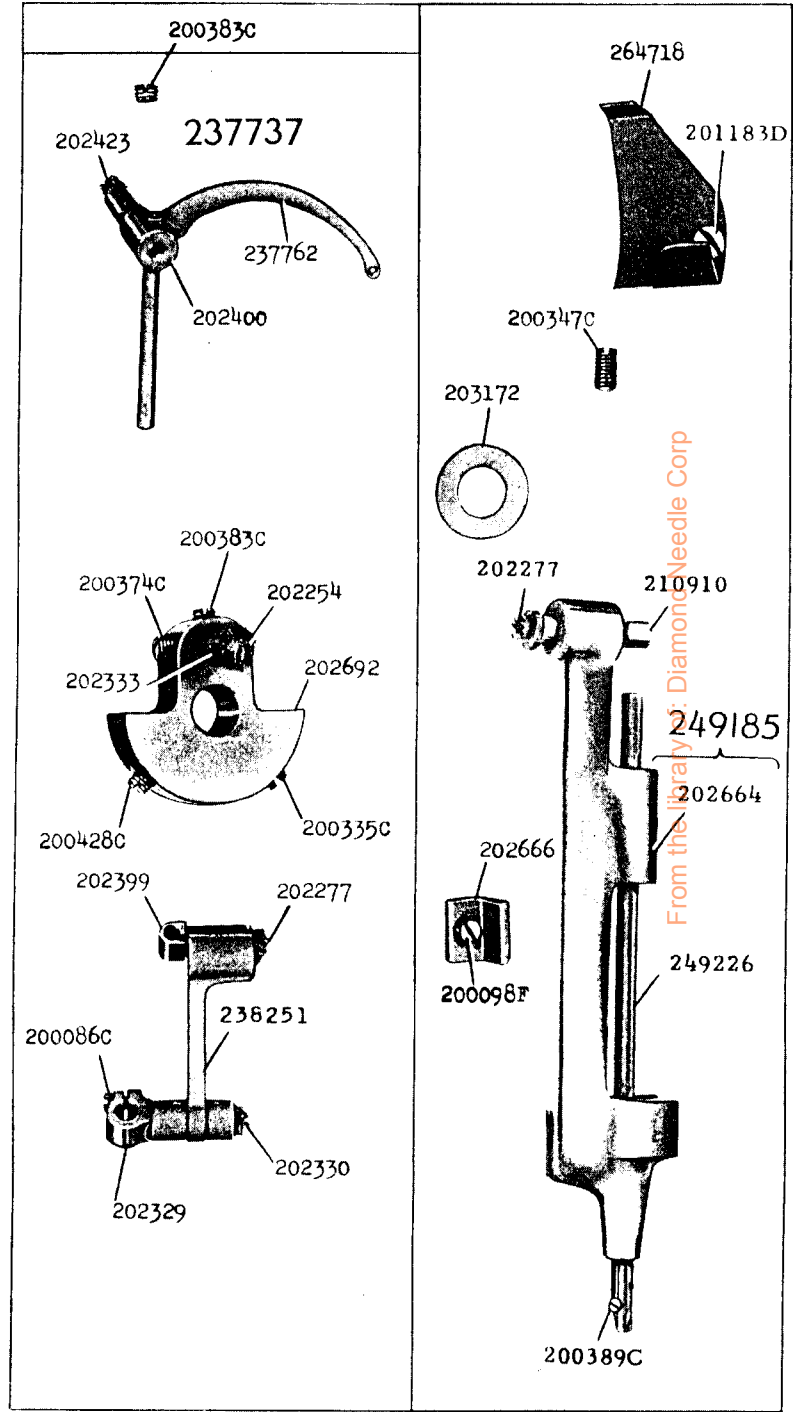




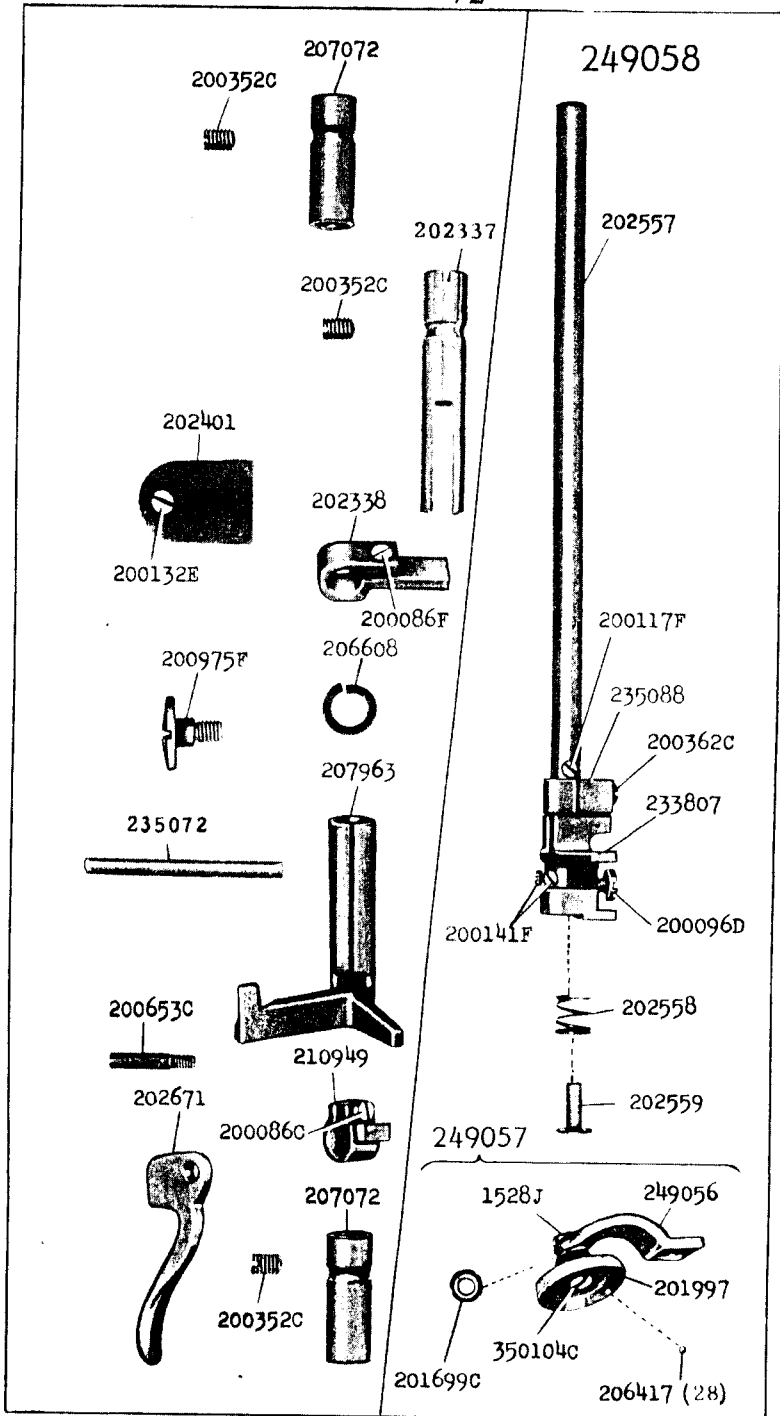
17333 - 1/4



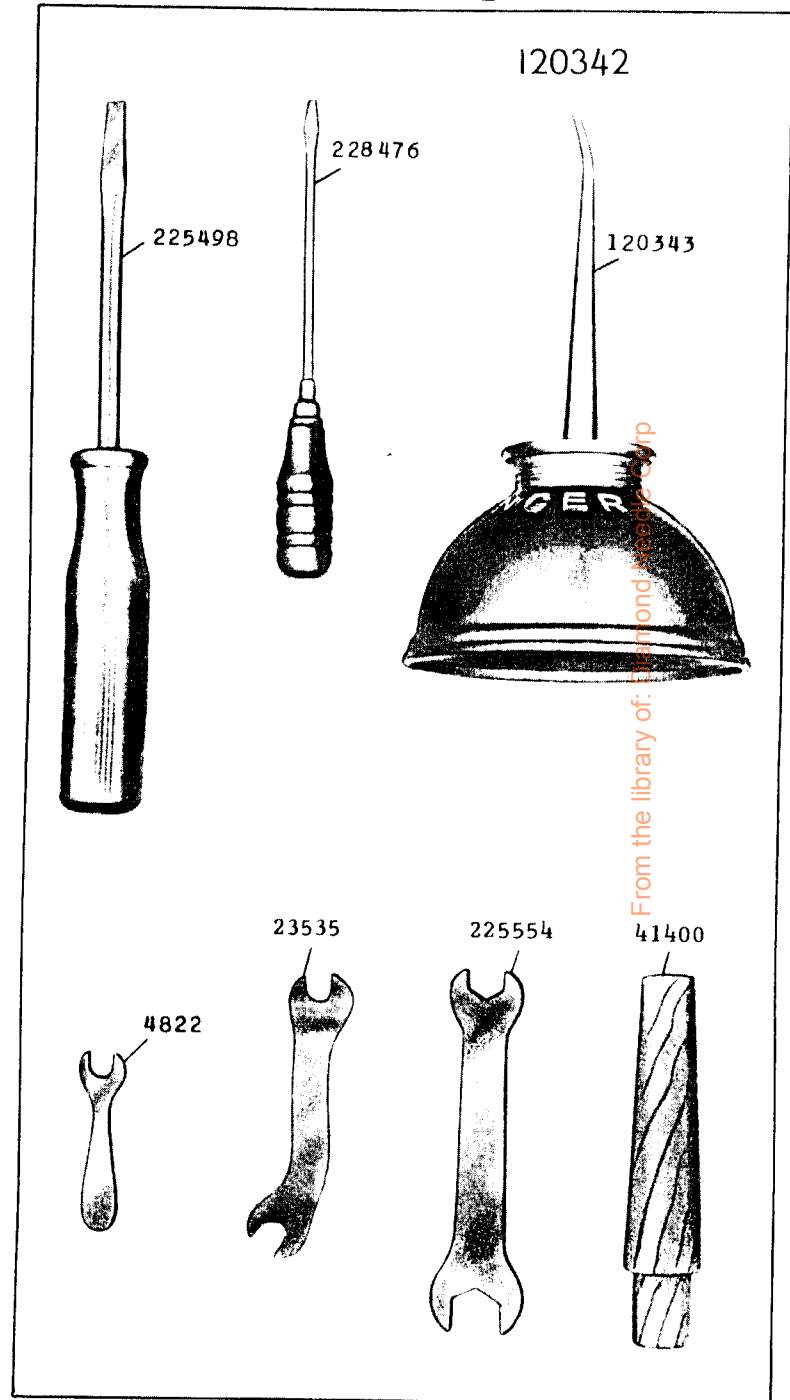
17334 - 1/2



17335 - 1/2



17336 - 1/2



From the library of: www.diamondsands.com

17640 - 1/3
259283

